

SlingGuard™ sling bar



Instructions for Use

SlingGuard™ 450

Prod. No. 3308020

SlingGuard™ 450 with Quick- Hook Multi

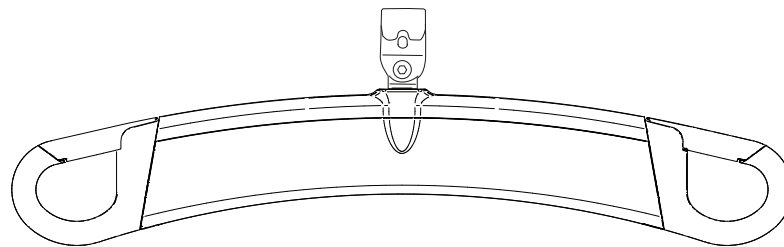
Prod. No. 3308520

SlingGuard™ 670 Twin

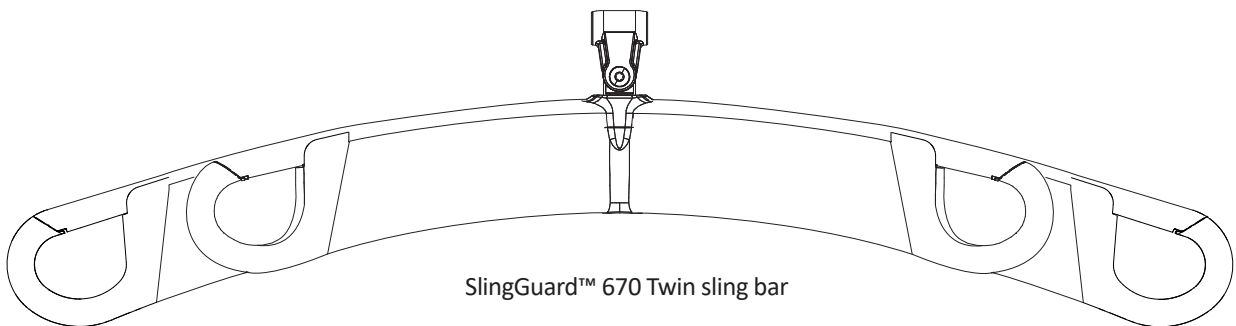
Prod. No. 3308040

SlingGuard™ 670 Twin with Quick- Hook Multi

Prod. No. 3308540



SlingGuard™ 450 sling bar















SlingGuard™ 670 Twin sling bar

Table of Contents

Symbol Description	3
Product Description	4
Intended use	4
Safety Instructions	5
SlingGuard™ 450 sling bar - Attach the sling suspension loops to the sling bar hooks.....	6
SlingGuard™ 670 Twin sling bar - Attach the sling suspension loops to the sling bar hooks.	7
Assembly	8
Fixed assembly of SlingGuard™ sling bar to lift	8
Assembly of SlingGuard™ sling bar with Quick-Hook Multi	9
Dimensions	9
SlingGuard™ 450 sling bars:.....	9
SlingGuard™ 670 Twin sling bar	9
Cleaning and disinfection	10
Equipment	10
Cleaning instructions	10
Disinfection Instructions	10
Use of cleaning and disinfecting agents on LikoGuard™ Overhead lift	11
Care and maintenance	12
Service	12
Expected life time	12
Recycling Instructions	12
Product Changes.....	12
Design and Quality by Liko in Sweden	12
Notice to Users and/or Patients in EU	12

Symbol Description

These symbols can be found in this document and/or on the product.

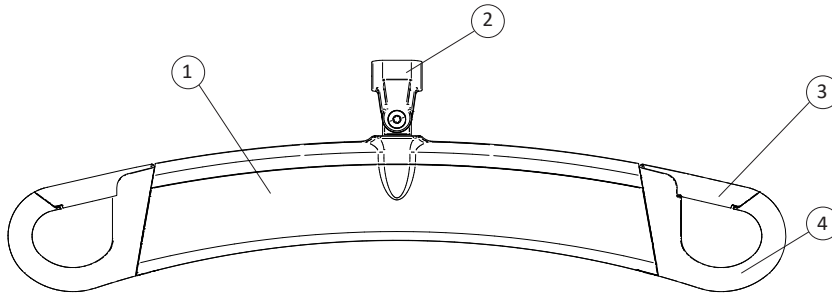
Symbol	Description
	Warning; this situation requires extra care and attention.
	CE mark
	Legal manufacturer.
	Read instructions for use before use.
	Date of manufacturing.
Important!	Failure to follow the instructions may lead to damage to the product.
	Caution! consult instructions for use.
	Read instructions for use before use.
	Product Identifier.
	Serial Number.
	Medical device.
	Recyclable.
	GS1 Data Matrix Barcode that may contain following information. (01) Global Trade Item Number (11) Production Date (21) Serial Number

Product Description

SlingGuard™ Sling bars are available in two versions of attachment to the lift. Fixed attachment or the quick-attachment device Quick- Hook Multi. SlingGuard™ Sling bars has latches to protect against involuntary unhooking of the slings suspension loops.

CE Medical Device Class I Product

Maximum load: 363 kg (800 lbs.)



1. SlingGuard™ 450 sling bar
2. Attachment point to lift
3. Latch
4. Sling bar hook

Safety information

A Liko™ lift system is a combination of products. Each product has its own maximum load marking. The lowest specified maximum load of the products that comprises the system sets the maximum load for the complete lift system. The lift system can contain following products; lift rails, a lift motor, a sling bar, a sling or other recommended accessories. Identify the maximum load for the complete lift system by reading the maximum load marking on each product in the system. Contact your Hill-Rom representative for support and advice.



The total maximum load for a lift system is always determined by the product in the system with the lowest specified maximum load.



Read and understand the Instruction for use in its entirety before using the product. Use of the product without a full understanding of the contents is subject to risk.

Intended use

A SlingGuard™ sling bar is used as an aid in carrying out lifts but does not come into contact with the patient, therefore we do not go into different patient conditions in the instruction for use. Surrounding (functional) environment: Temp. +5 °C to +40 °C, relative humidity 15% to 93% non-condensed. Barometric pressure range of 70 kPa to 106 kPa.

In the event of any queries regarding this product, contact your Hill-Rom representative.

For guidance and support in choosing the correct sling, visit www.hillrom.com or contact your Hill-Rom representative.

Note! Always read the instruction for use that comes with Liko's different sling models for correct and safe use of the sling.



Read the instruction for use for both the patient lift and lifting accessories before use. Lifting and transferring a person always involves a certain level of risk. It is important to completely understand the contents of the instruction for use. The equipment should only be used by trained personnel. Contact your Hill-Rom representative in the event of any uncertainties or questions.



Under no circumstances may the sling bar be modified. In the event of questions, please contact Hill-Rom.



The sling strap loops should be attached to the sling bar hooks so that the sling bar latches safely prevent involuntary unhooking of the strap loops.



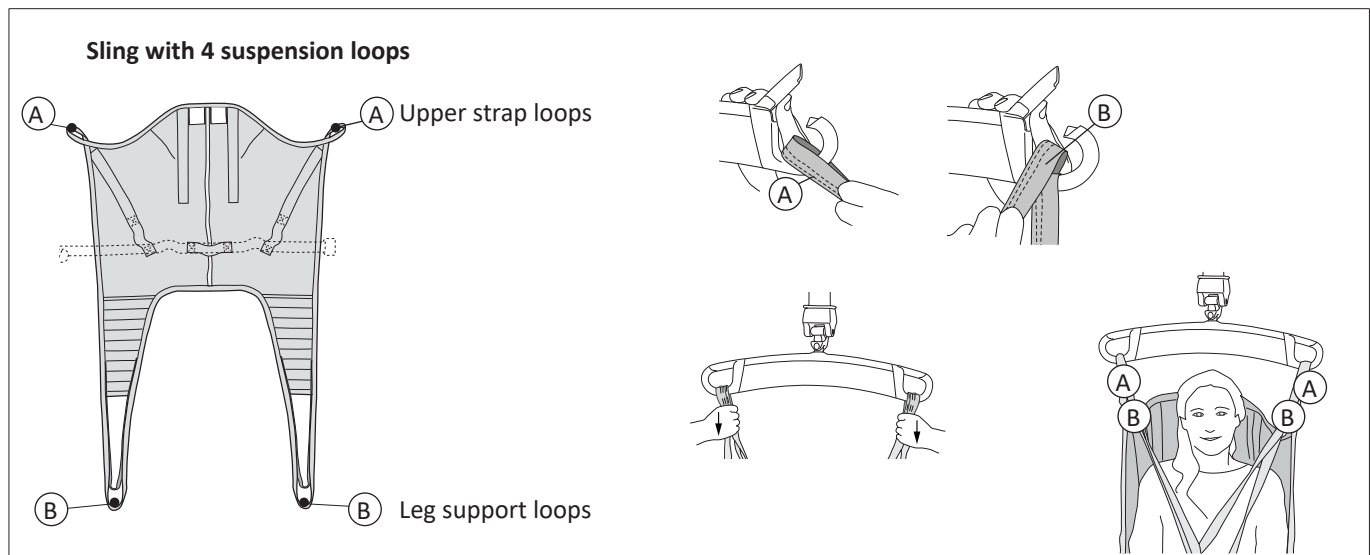
Before lifting always ensure that the sling's strap loops are correctly connected to the sling bar hooks when the sling straps are stretched, but before the patient is lifted from the underlying surface.



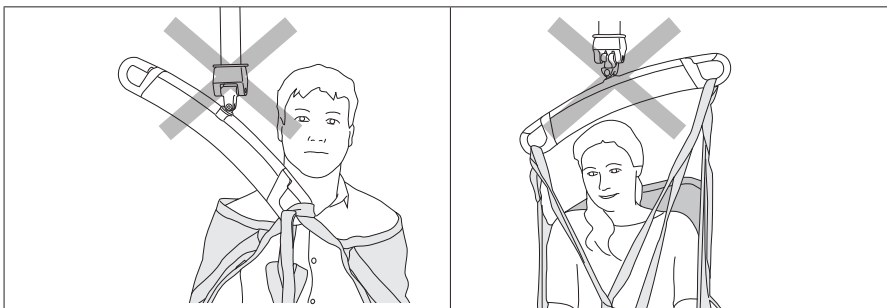
Attach lifting accessories correctly so that the sling bar hangs level and all sling bar hooks take all the weight when lifting!

SlingGuard™ 450 sling bar - Attach the sling suspension loops to the sling bar hooks.

Note! For correct and safe use of a sling, always study the instruction for use for the selected sling before lifting.



WRONG!

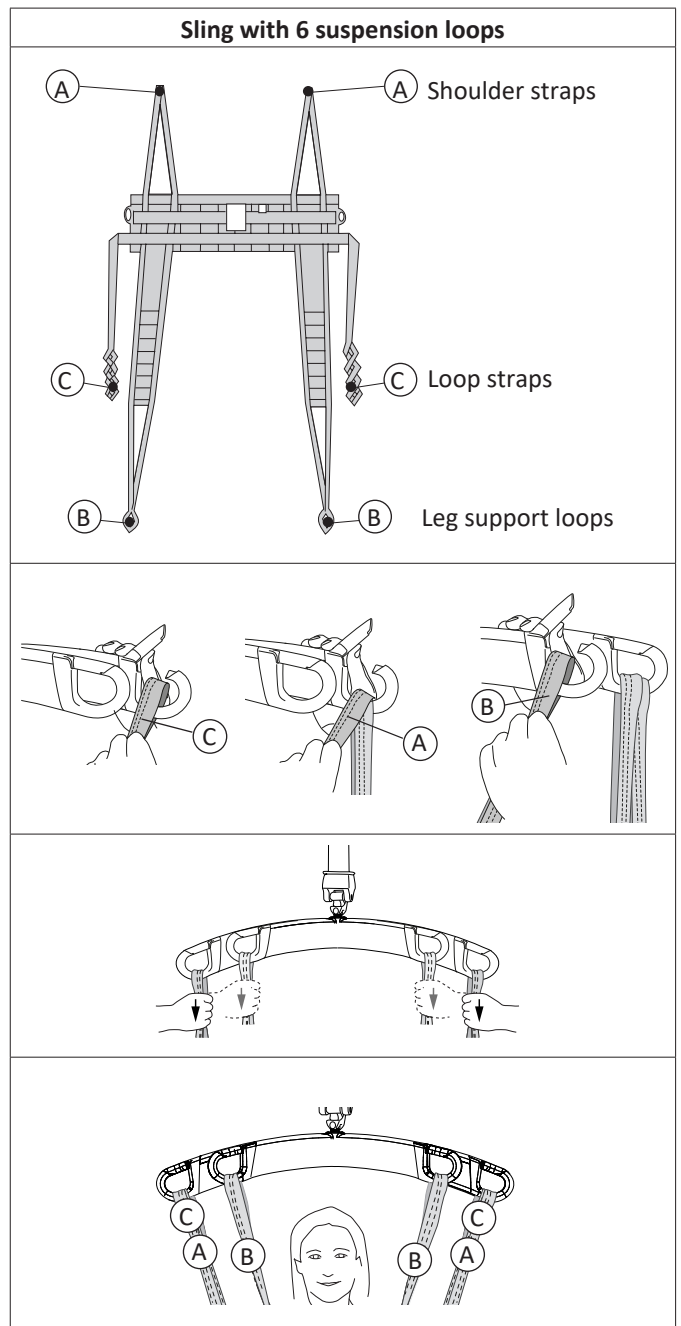
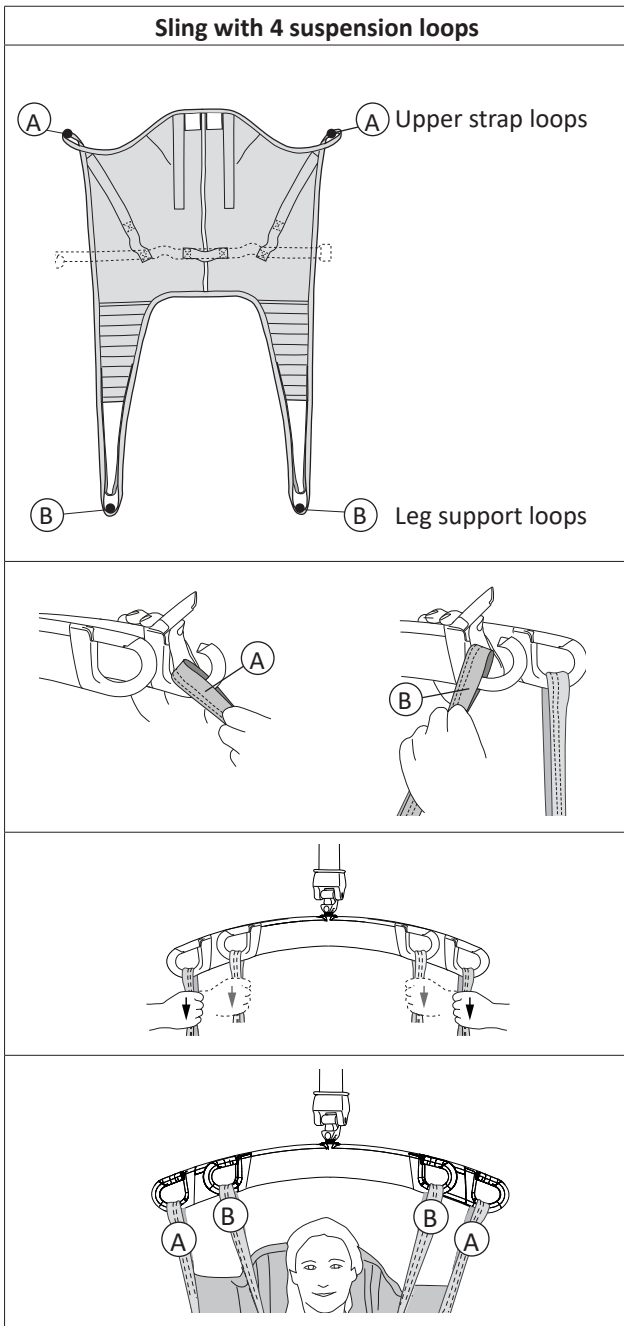


SlingGuard™ 670 Twin sling bar

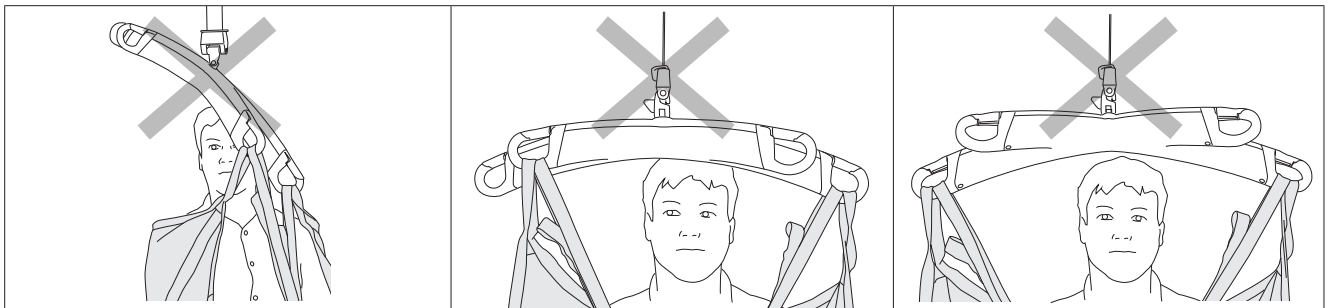


SlingGuard™ 670 Twin sling bar - Attach the sling suspension loops to the sling bar hooks.

Note! For correct and safe use of a sling, always study the instruction for use for the selected sling before lifting.



WRONG!



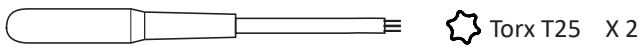
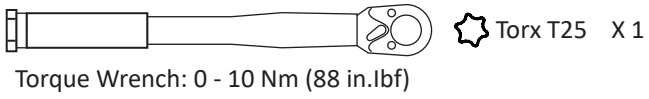
Assembly

Fixed assembly of SlingGuard™ sling bar to lift

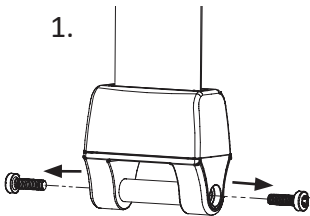
Fits: LikoGuard™ L Overhead Lift Prod. No. 3301030
LikoGuard™ XL Overhead Lift Prod. No. 3301040

Shall be assembled by personnel authorized by Hill-Rom!

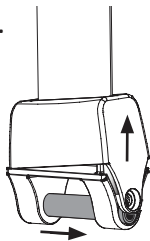
Tools required:



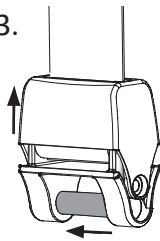
1.



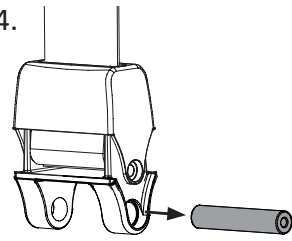
2.



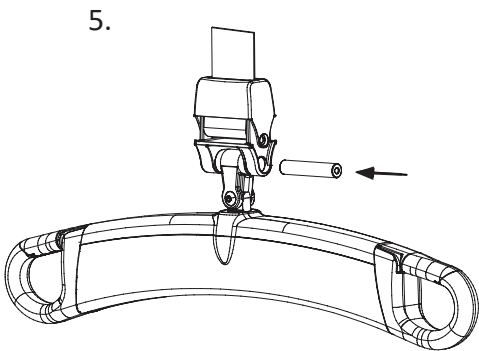
3.



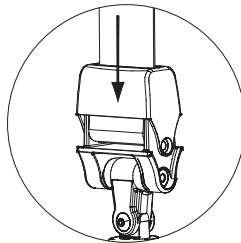
4.



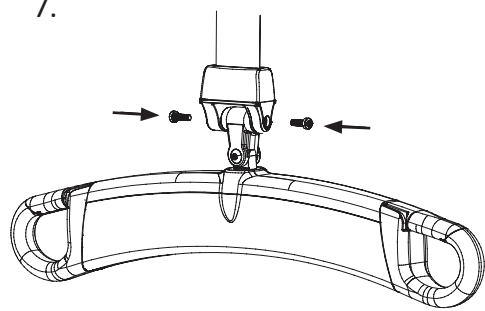
5.



6.



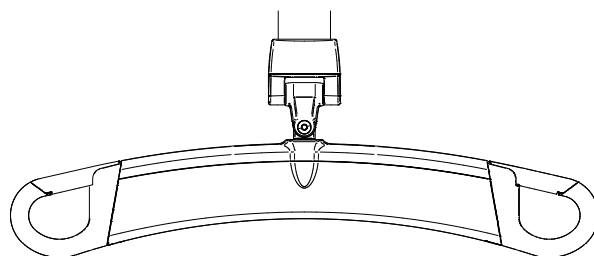
7.



Torque: $1,25 \pm 0,25$ Nm (11 ± 2.2 in.lbf)



Safety critical assembly!

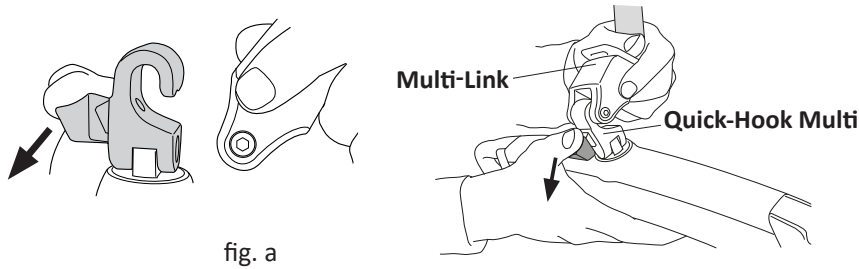


Assembly of SlingGuard™ sling bar with Quick-Hook Multi

Fits: LikoGuard™ L Overhead Lift Prod. No. 3301030
 LikoGuard™ XL Overhead Lift Prod. No. 3301040

Always check that the quick attachment device is correctly attached to the lift strap attachment.

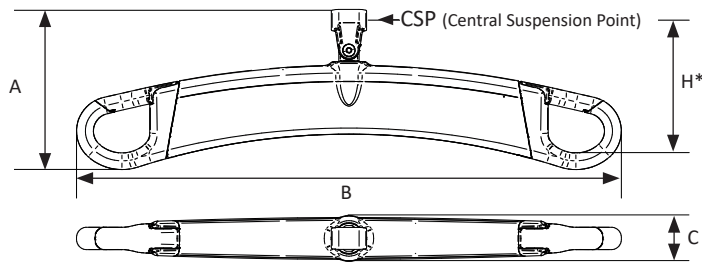
Open the Quick-Hook Multi with the green button, see fig.a and attach the Quick-Hook Multi to Multi-link at the lift strap, release the button. The Quick-Hook Multi is now attached to the Multi-Link, see fig.b.



Dimensions

SlingGuard™ 450 sling bars:

Prod. No. 3308020 (with fixed attachment)



Measurements in mm.

model	A	B	C	H*
450	160	540	47	133

Measurements in Inch.

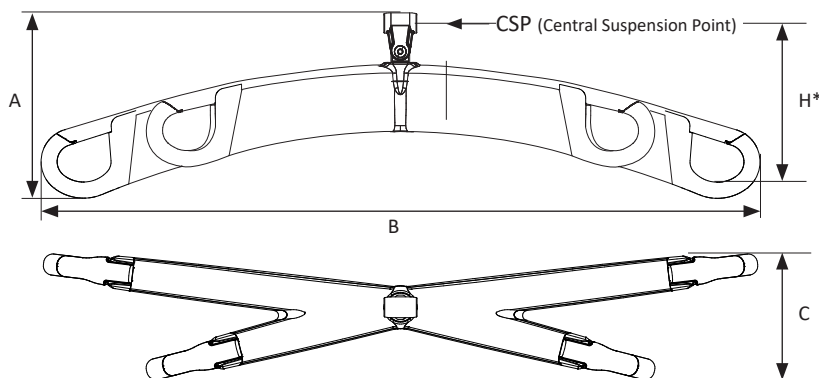
model	A	B	C	H*
450	6.3	21.3	1.8	5.2

* Installation dimensions: the distance between the sling bar hooks attachment point (for sling etc.) to the sling bar's central suspension point (CSP) to lift.

Weight: Approx. 1,8 kg / 4.0 lbs.

SlingGuard™ 670 Twin sling bar

Prod. No. 3308040 (with fixed attachment)



Measurements in mm.

A	B	C	H*
200	757	133	171

Measurements in Inch.

A	B	C	H*
7.9	29.8	5.2	6.7

* Installation dimensions: the distance between the sling bar hooks attachment point (for sling etc.) to the sling bar's central suspension point (CSP) to lift.

Weight: Approx. 4.2 kg / 9.3 lbs.

Cleaning and Disinfection



Cleaning and disinfection must always be carried out in accordance with the recommended instructions.

All parts must be kept clean in order to avoid the risk of infection. Necessary precautions must be taken to eliminate all visible stains and dirt. The cleaning and disinfection methods described are specifically aimed at the lift and all accessories. It has been designed to save time and contribute to effectively fighting healthcare related infections.

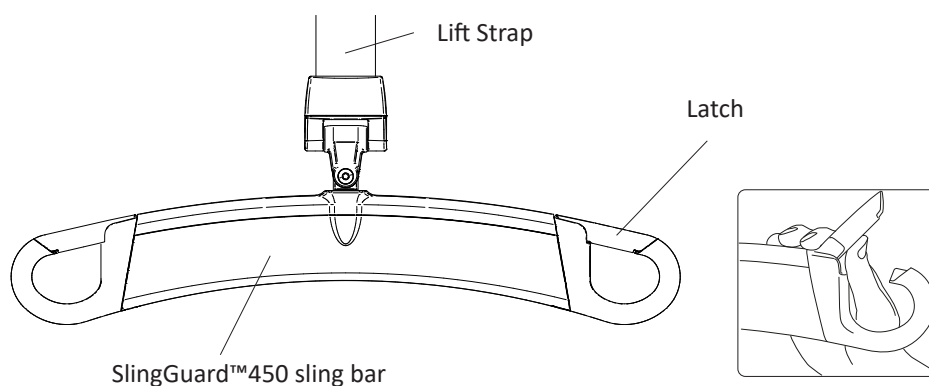
Equipment

- Safety equipment (such as rubber gloves, protective glasses, aprons, face masks/protective masks and overshoes) according to guidelines and routines in your organization and the manufacturer's instructions.
- Clean buckets
- Cloths
- Soft brushes
- Warm water
- See chapter "Use of cleaning and disinfecting agents on LikoGuard™ Overhead lift" for choice of suitable cleaning and disinfecting agents.

Cleaning instructions

1. If the sling bar includes the Quick-hook Multi, remove the Sling bar by disconnecting the Quick-hook Multi from the lifts Multi-Link connector, see "Assembly of SlingGuard™ Sling bar with Quick-Hook Multi".
2. Clean the sling bar with a cloth moistened with warm water and a neutral cleaning agent approved by your organization. A soft brush may be used to remove stains and resistant dirt.
3. Wipe off the entire sling bar with a cloth moistened with clean water starting from the top and working down. The cloth shall not be so damp that it drips.

IMPORTANT! The lift strap or the Emergency stop cord shall not be exposed to following agents: CSI, Oxivir Tb, Dispatch, Chlor-Clean, Dismozon Pur or the equivalent.



Disinfection Instructions

1. For the use of suitable disinfectants see chapter "Use of cleaning and disinfecting agents on LikoGuard™ Overhead lift".
2. Use the choice of disinfectant according to the manufacturer's instructions and repeat the work step as in "Cleaning instructions".
3. Remove traces of disinfectant after disinfection. Wipe off the entire sling bar with a cloth moistened with clean water starting from the top and working down. The cloth shall not be so damp that it drips.

Use of cleaning and disinfecting agents on LikoGuard™ Overhead lift

Chemical class	Active ingredients	pH	Cleaning agents / Disinfectant *)	Manufacturer *)	May not be used on the following items:
Quaternary ammonium chloride	Didecyl dimethyl ammonium chloride = 8.704% Alkyl dimethyl benzyl ammonium chloride = 8.19%	9.0 – 10.0 when using	Virex II (256) (or equivalent)	Johnson/Diversey	
Quaternary ammonium chloride	Alkyl dimethyl benzyl ammonium chloride = 13.238% Alkyl dimethyl ethylbenzyl ammonium chloride = 13.238%	9.5 when using	HB Quat 25L (or equivalent)	3M	
Accelerated hydrogen peroxide	Hydrogen Peroxide 0.1-1.5% Benzyl Alcohol: 1-5% Hydrogen Peroxide 0.1-1.5% Benzyl Alcohol: 1-5%	3	Oxivir Tb (or equivalent)	Johnson/Diversey	Lift strap, (LikoGuard™) Emergency stop cord (LikoGuard™)
Phenolic	Ortho-Phenylphenol = 3.40% Ortho-Benzyl-para-Chlorophenol = 3.03	3.1 +/- 0.4 when using	Wexcide (or equivalent)	Wexford Labs	
Bleach	Sodium hypochlorite	12.2	Dispatch (or equivalent)	Caltech	Lift strap, (LikoGuard™) Emergency stop cord (LikoGuard™)
Alcohol	Isopropyl alcohol = 70%	5.0 – 7.0	Viraguard (or equivalent)	Veridien	
Quaternary ammonium	n-Alkyl dimethyl benzyl ammonium chlorides = 0.105% n-Alkyl dimethyl ethylbenzyl ammonium chlorides = 0.105%	11.5 - 12.5	CSI (or equivalent)	Central Solutions Inc.	Lift strap, (LikoGuard™) Emergency stop cord (LikoGuard™)
Benzyl-C12-18-alkyldimethylammonium, chlorides	Benzyl-C12-18-alkyldimethylammonium, chlorides (22%) 2-Phenoxyethanol (20%) Tridecylpolyethylenglycoether (15%) Propan-2-ol (8%)	approx. 8.6 when using	Terralin Protect (or equivalent)	Shulke	
Organic peroxide (type E, solid)	Magnesium monoperoxyphthalate hexahydrate (50-100%) Anionic surfactant (5-10%) Nonionic surfactant (1-5%)	5.3 when using	Dismozon Pur (or equivalent)	Bode	Lift strap, (LikoGuard™) Emergency stop cord (LikoGuard™)
Ethanol	Hydrogen peroxide (2.5-10%) Lauryldimethylamine oxide (0-2.5%) Ethanol (2.5-10%)	7	Anioxy-Spray WS (or equivalent)	Anios	
Troscosene sodium	Adipic acid 10-30% Amorphous silica < 1% Sodium Toluene sulphphonate 5-10% Troscosene sodium 10-30%	4-6 when using	Chlor-Clean (or equivalent)	Guest Medical Ltd	Lift strap, (LikoGuard™) Emergency stop cord (LikoGuard™)

*) or equivalent

Care and Maintenance

To ensure smooth operation and use, some details should be checked before each use:

- Check that the screws and locking nuts at the sling bar and the lift strap fixings are tightened
- Check that the latches are functional and intact, missing or damaged latches must always be replaced with new ones.
- When using the Quick-release system, check that the Quick-release Hook is correctly attached to the lift and sling bar, see "Assembly of SlingGuard™ sling bar with Quick-Hook Multi".
- Before lifting, check that the lifting accessory hangs vertically and can move freely.

Clean a SlingGuard™ Sling bar with a moist cloth, using warm water, as necessary.

For detailed information about cleaning and disinfection of your Hill-Rom product we refer to chapter "Cleaning and disinfecting".

Important! A SlingGuard™ sling bar shall not be exposed to running water.

Service

A periodic inspection of the SlingGuard™ sling bar should be carried out at least once a year.



Periodic inspection, repair and maintenance should be performed only in accordance with the Liko Service Manual and by personnel trained by Hill-Rom and using original Liko spare parts.

Expected life time

The product has an expected life time of 10 years when correctly handled, serviced and periodically inspected in accordance with Liko product instructions.



The product should be used in accordance with the recommendations for Expected Life Time.

Recycling Instructions

The product should be recycled as scrap metal.

Hill-Rom evaluates and provides guidance to its users on the safe handling and disposal of its devices to aid in the prevention of injury, including, but not limited to: cuts, punctures of the skin, abrasions, and any required cleaning and disinfection of the medical device after use and prior to its disposal. Customers should adhere to all federal, state, regional, and/or local laws and regulations as it pertains to the safe disposal of medical devices and accessories.

If in doubt, the user of the device shall first contact Hill-Rom Technical Support for guidance on safe disposal protocols.

Product Changes

Liko's products undergo continuous development, which is why we reserve the right to make product changes without prior notice. Contact your Hill-Rom representative for advice and information about product upgrades.

Design and Quality by Liko in Sweden

The management system for both manufacturing and development of the product is certified in accordance with ISO9001 and its equivalent for the medical device industry, ISO13485. The management system is also certified in accordance with the environmental standard ISO14001.

Notice to Users and/or Patients in EU

Any serious incident that has occurred in relation to the device, should be reported to the manufacturer and the competent authority of the Member State in which the user and/or patient is established.



www.hillrom.com

Liko AB
Nedre vägen 100
975 92 Luleå, Sweden
+46 (0)920 474700

Liko AB is a subsidiary of Hill-Rom Holdings Inc.

Enhancing outcomes for
patients and their caregivers:

Hill-Rom